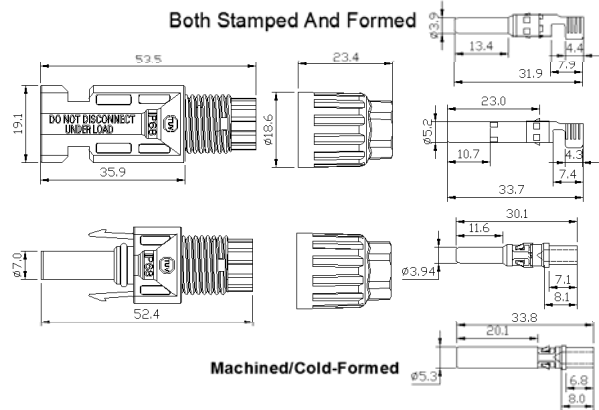




# 深圳富明精密工业有限公司

SHENZHEN FORMAN PRECISION INDUSTRY CO.,LTD

## 1000V PV Connector MC4 Cable Series



Product Information		Product Parameter	
* Shell Material	PPO Plastic Body	* Rated Current	22.5A~30A
* Terminal Material	Copper, Tin-Plated	* Rated Voltage	1000V DC
* Terminal Spec	Both Stamped And Formed & Machined/Cold-Formed	* Contact Resistance	≤0.35mmΩ
* Connector Type	Cable End	* Cable Jacket Diameter	3.0-6.3mm
* Wire Size	2.5mm <sup>2</sup> & 4mm <sup>2</sup> & 6mm <sup>2</sup> 14AWG & 12AWG & 10AWG	* Strip Length	7 ± 0.5mm
* Security Class	II	* Certificate	TUV&CE
* Connecting System	Crimping Connection	* Flame Class	UL94-V0
* Operation Temperature	-40℃ ~ +90℃	* Waterproof Degree	IP68

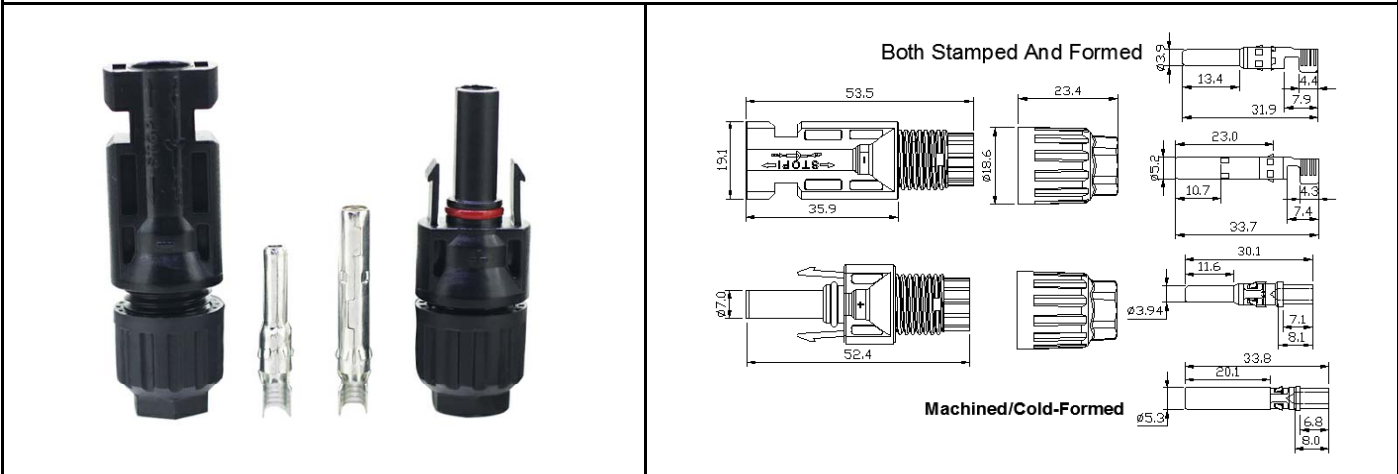
Part NO	Wire Size	Rated Current	Terminal Spec
A286-01-PMC4-1W00C-B2	2.5mm <sup>2</sup> (14AWG)	22.5A	Both Stamped And Formed
A286-01-PMC4-1W00C-M2			Machined/Cold-Formed
A286-01-PMC4-1W00C-B4	4mm <sup>2</sup> ~6.0mm <sup>2</sup> (12~10AWG)	4.0mm <sup>2</sup> 30A 6.0mm <sup>2</sup> 50A	Both Stamped And Formed
A286-01-PMC4-1W00C-M4			Machined/Cold-Formed



# 深圳富明精密工业有限公司

SHENZHEN FORMAN PRECISION INDUSTRY CO.,LTD

## 1000V PV Connector MC4 Cable Series



Product Information		Product Parameter	
* Shell Material	PC Plastic Body	* Rated Current	22.5A~30A
* Terminal Material	Copper, Tin-Plated	* Rated Voltage	1000V DC
* Terminal Spec	Both Stamped And Formed & Machined/Cold-Formed	* Contact Resistance	≤0.35mmΩ
* Connector Type	Cable End	* Cable Jacket Diameter	3.0-6.3mm
* Wire Size	2.5mm <sup>2</sup> & 4mm <sup>2</sup> & 6mm <sup>2</sup> 14AWG & 12AWG & 10AWG	* Strip Length	7±0.5mm
* Security Class	II	* Certificate	TUV&CE
* Connecting System	Crimping Connection	* Flame Class:	UL94-V0
* Operation Temperature	-40°C ~ +95°C	* Waterproof Degree	IP67

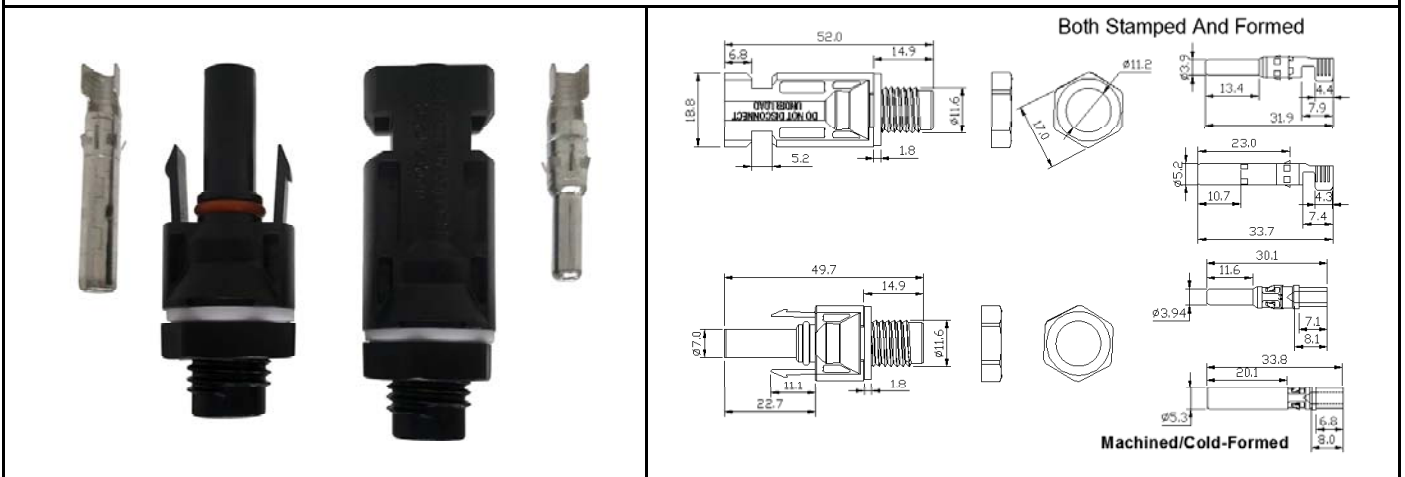
Part NO	Wire Size	Rated Current	Terminal Spec
A286-02-PMC4-1W00C-B2	2.5mm <sup>2</sup> (14AWG)	22.5A	Both Stamped And Formed
A286-02-PMC4-1W00C-M2			Machined/Cold-Formed
A286-02-PMC4-1W00C-B4	4mm <sup>2</sup> ~6.0mm <sup>2</sup> (12~10AWG)	4.0mm <sup>2</sup> 30A 6.0mm <sup>2</sup> 50A	Both Stamped And Formed
A286-02-PMC4-1W00C-M4			Machined/Cold-Formed



# 深圳富明精密工业有限公司

SHENZHEN FORMAN PRECISION INDUSTRY CO.,LTD

## 1000V PV Connector MC4 Bulkhead Series



Product Information		Product Parameter	
* Shell Material	PPO Plastic Body	* Rated Current	22.5A~30A
* Terminal Material	Copper, Tin-Plated	* Rated Voltage	1000V DC
* Terminal Spec	Both Stamped And Formed & Machined/Cold-Formed	* Contact Resistance	≤0.35mmΩ
* Connector Type	Plate End	* Cable Jacket Diameter	3.0-6.3mm
* Wire Size	2.5mm <sup>2</sup> & 4mm <sup>2</sup> & 6mm <sup>2</sup> 14AWG & 12AWG & 10AWG	* Strip Length	7±0.5mm
* Security Class	II	* Certificate	TUV&CE
* Connecting System	Crimping Connection	* Flame Class:	UL94-V0
* Operation Temperature	-40℃ ~ +90℃	* Waterproof Degree	IP67

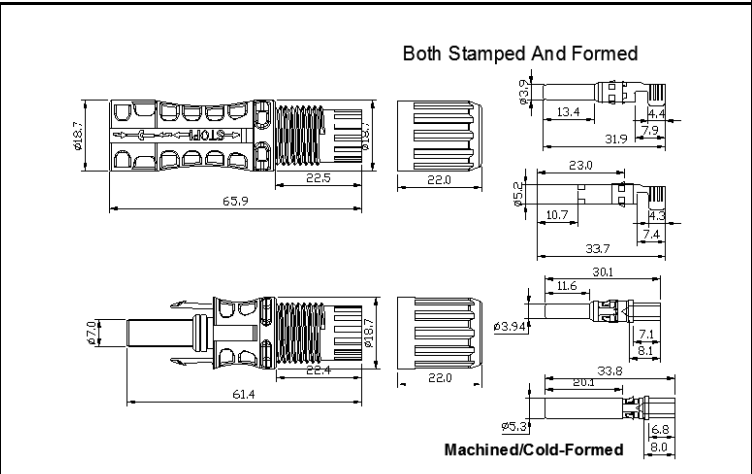
Part NO	Wire Size	Rated Current	Terminal Spec
A286-01-PMC4-1B00C-B2	2.5mm <sup>2</sup> (14AWG)	22.5A	Both Stamped And Formed
A286-01-PMC4-1B00C-M2			Machined/Cold-Formed
A286-01-PMC4-1B00C-B4	4mm <sup>2</sup> ~6.0mm <sup>2</sup> (12~10AWG)	4.0mm <sup>2</sup> 30A 6.0mm <sup>2</sup> 50A	Both Stamped And Formed
A286-01-PMC4-1B00C-M4			Machined/Cold-Formed



# 深圳富明精密工业有限公司

SHENZHEN FORMAN PRECISION INDUSTRY CO.,LTD

## 1500V PV Connector MC4 Cable Series



Product Information		Product Parameter	
---------------------	--	-------------------	--

* Shell Material	PC Plastic Body	* Rated Current	22.5A~30A
* Terminal Material	Copper, Tin-Plated	* Rated Voltage	1500V DC
* Terminal Spec	Both Stamped And Formed & Machined/Cold-Formed	* Contact Resistance	≤0.35mmΩ
* Connector Type	Cable End	* Cable Jacket Diameter	3.0-6.3mm
* Wire Size	2.5mm <sup>2</sup> & 4mm <sup>2</sup> & 6mm <sup>2</sup> 14AWG & 12AWG & 10AWG	* Strip Length	7±0.5mm
* Security Class	II	* Certificate	TUV&CE
* Connecting System	Crimping Connection	* Flame Class:	UL94-V0
* Operation Temperature	-40℃ ~ +90℃	* Waterproof Degree	IP67

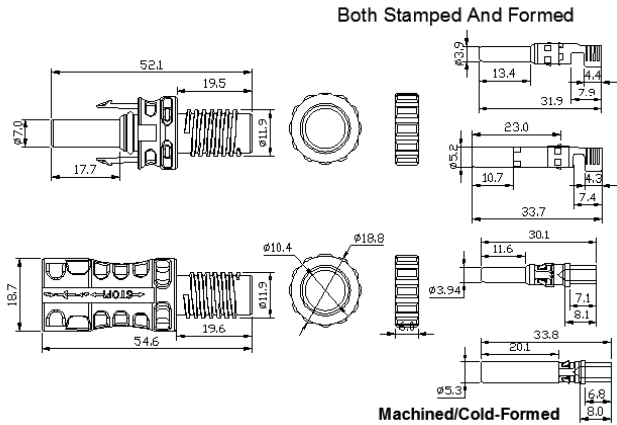
Part NO	Wire Size	Rated Current	Terminal Spec
A286-01-PMC4-5W00C-B2	2.5mm <sup>2</sup> (14AWG)	22.5A	Both Stamped And Formed
A286-01-PMC4-5W00C-M2			Machined/Cold-Formed
A286-01-PMC4-5W00C-B4	4mm <sup>2</sup> ~6.0mm <sup>2</sup> (12~10AWG)	4.0mm <sup>2</sup> 30A 6.0mm <sup>2</sup> 50A	Both Stamped And Formed
A286-01-PMC4-5W00C-M4			Machined/Cold-Formed



# 深圳富明精密工业有限公司

SHENZHEN FORMAN PRECISION INDUSTRY CO.,LTD

## 1500V PV Connector MC4 Bulkhead Series



### Product Information

### Product Parameter

* Shell Material	PPO Plastic Body	* Rated Current	22.5A~30A
* Terminal Material	Copper, Tin-Plated	* Rated Voltage	1500V DC
* Terminal Spec	Both Stamped And Formed & Machined/Cold-Formed	* Contact Resistance	≤0.2mmΩ
* Connector Type	Plate End	* Cable Jacket Diameter	3.0-6.3mm
* Wire Size	2.5mm <sup>2</sup> & 4mm <sup>2</sup> & 6mm <sup>2</sup> 14AWG & 12AWG & 10AWG	* Strip Length	7±0.5mm
* Security Class	II	* Certificate	TUV&CE
* Connecting System	Crimping Connection	* Flame Class:	UL94-V0
* Operation Temperature	-40℃ ~ +90℃	* Waterproof Degree	IP67

Part NO	Wire Size	Rated Current	Terminal Spec
A286-01-PMC4-5B00C-B2	2.5mm <sup>2</sup> (14AWG)	22.5A	Both Stamped And Formed
A286-01-PMC4-5B00C-M2			Machined/Cold-Formed
A286-01-PMC4-5B00C-B4	4mm <sup>2</sup> ~6.0mm <sup>2</sup> (12~10AWG)	4.0mm <sup>2</sup> 30A 6.0mm <sup>2</sup> 50A	Both Stamped And Formed
A286-01-PMC4-5B00C-M4			Machined/Cold-Formed



## Photovoltaic Systems Wires Assembly



<b>Product name:</b>	<b>MC4 to DC35135 male input cable</b>
<b>Purpose:</b>	<b>Used in the solar charging package, solar controller DC power conversion power supply connection, motorcycle and motorcycle charging</b>
<b>Cables Specifications:</b>	<b>UL2464 black main wire 22AWG*2C wire, Or UL2468 18AWG*2P branch wire Or UL1015 red &amp; black wire 18AWG (Various specifications and colors can be customized according to customer requirements)</b>
<b>Input interface:</b>	<b>MC4 male and female (the red wire of MC4 male is positive, connect to the center of DC35135 male)</b>
<b>Output interface:</b>	<b>DC35135 tuning fork male</b>
<b>Supporting materials:</b>	<b>Heat shrinkable tube&amp; PVC Compound</b>
<b>Length:</b>	<b>1M (length can be customized)</b>



## Photovoltaic Systems Wires Assembly



<b>Product name:</b>	<b>MC4 to DC4017 male input cable</b>
<b>Purpose:</b>	<b>Used in the solar charging package, solar controller DC power conversion power supply connection, motorcycle and motorcycle charging</b>
<b>Cables Specifications:</b>	<b>UL2464 black main wire 22AWG*2C wire, Or UL2468 18AWG*2P branch wire Or UL1015 red &amp; black wire 18AWG (Various specifications and colors can be customized according to customer requirements)</b>
<b>Input interface:</b>	<b>MC4 male and female (the red wire of MC4 male is positive, connect to the center of DC4017 male)</b>
<b>Output interface:</b>	<b>DC4017 tuning fork male</b>
<b>Supporting materials:</b>	<b>Heat shrinkable tube&amp; PVC Compound</b>
<b>Length:</b>	<b>1M (length can be customized)</b>



## Photovoltaic Systems Wires Assembly



<b>Product name:</b>	<b>MC4 to DC5521 male input cable</b>
<b>Purpose:</b>	<b>Used in the solar charging package, solar controller DC power conversion power supply connection, motorcycle and motorcycle charging</b>
<b>Cables Specifications:</b>	<b>UL2464 black main wire 16AWG*2C wire, Or UL2468 16AWG*2P branch wire Or UL1015 red &amp; black wire 16AWG (Various specifications and colors can be customized according to customer requirements)</b>
<b>Input interface:</b>	<b>MC4 male and female (the red wire of MC4 male is positive, connect to the center of DC5521 male)</b>
<b>Output interface:</b>	<b>DC5521 tuning fork male</b>
<b>Supporting materials:</b>	<b>Heat shrinkable tube&amp; PVC Compound</b>
<b>Length:</b>	<b>1M (length can be customized)</b>





## Photovoltaic Systems Wires Assembly



<b>Product name:</b>	<b>MC4 to DC5521 male input cable</b>
<b>Purpose:</b>	<b>Used in the solar charging package, solar controller DC power conversion power supply connection, motorcycle and motorcycle charging</b>
<b>Cables Specifications:</b>	<b>SPT2 black 16AWG wire (Various specifications and colors can be customized according to customer requirements)</b>
<b>Input interface:</b>	<b>MC4 male and female</b>
<b>Output interface:</b>	<b>with DC5521 female to DC35135 male and DC5521 female to DC5525 male</b>
<b>Supporting materials:</b>	<b>Heat shrinkable tube&amp; PVC Compound</b>
<b>Length:</b>	<b>1M (length can be customized)</b>



## Photovoltaic Systems Wires Assembly



<b>Product name:</b>	<b>MC4 to DC7909 male output cable</b>
<b>Purpose:</b>	<b>Used in the solar charging package, solar controller DC power conversion power supply connection, motorcycle and motorcycle charging</b>
<b>Cables Specifications:</b>	<b>UL2464 black main wire 16AWG*2C wire, Or UL2468 16AWG*2P branch wire Or UL1015 red &amp; black wire 16AWG (Various specifications and colors can be customized according to customer requirements)</b>
<b>Input interface:</b>	<b>MC4 male and female</b>
<b>Output interface:</b>	<b>DC7909 male with pin</b>
<b>Supporting materials:</b>	<b>Heat shrinkable tube&amp; PVC Compound</b>
<b>Length:</b>	<b>1.3M (length can be customized)</b>



## Photovoltaic Systems Wires Assembly



<b>Product name:</b>	<b>MC4 to PL-20 input line</b>
<b>Purpose:</b>	<b>Used in the solar charging package power supply, aviation connector, dual-crystalline solar panel power cord, solar controller DC power conversion power connection, motorcycle and motorcycle charging.</b>
<b>Cables Specifications:</b>	<b>UL1015 red and black 10AWG wire (5 square copper) (Various specifications and colors can be customized according to customer requirements)</b>
<b>Input interface:</b>	<b>MC4 male and female</b>
<b>Output interface:</b>	<b>LP-20 2P male</b>
<b>Supporting materials:</b>	<b>Heat shrinkable tube</b>
<b>Length:</b>	<b>0.4M (length can be customized)</b>



## Photovoltaic Systems Wires Assembly



<b>Product name:</b>	<b>SAE connector to PV connector</b>
<b>Purpose:</b>	Used in automotive peripheral products. LED outdoor lights, solar-powered charging cables, mobile power to car small household appliances, battery car conversion power, one-shot molding. (Male and female connection methods can be customized according to customer requirements)
<b>Cables Specifications:</b>	UL2468 double black parallel new bare copper 12AWG (3.3 square meters) (Various specifications and colors can be customized according to customer requirements)
<b>Input interface:</b>	<b>SAE plug (1000 lines SAE plug with waterproof cover)</b>
<b>Output interface:</b>	<b>MC4 male and female</b>
<b>Supporting materials:</b>	<b>Braided net pipe &amp; Heat shrinkable tube &amp; PVC Compound</b>
<b>Length:</b>	<b>0.35M (length can be customized)</b>



## Photovoltaic Systems Wires Assembly



### Product Specifications

<b>Product name:</b>	<b>MC4 to Anderson head output line</b>
<b>Purpose:</b>	<b>Used in the solar charging package, single crystal dual crystal solar panel power cord, solar controller DC power conversion power supply connection, motorcycle and motorcycle charging.</b>
<b>Cables Specifications:</b>	<b>UL2468 double black parallel new bare copper12AWG (3.3 square meters) (Various specifications and colors can be customized according to customer requirements)</b>
<b>Input interface:</b>	<b>MC4 male and female</b>
<b>Output interface:</b>	<b>Anderson male and female</b>
<b>Supporting materials:</b>	<b>PVC Boot</b>
<b>Length:</b>	<b>1M (length can be customized)</b>



## Photovoltaic Systems Wires Assembly



<b>Product name:</b>	<b>MC4 PV Connector to TX60/TX90 Connector</b>
<b>Purpose:</b>	<b>For model aircraft charging, solar panels, portable outdoor energy storage charging.</b>
<b>Cables Specifications:</b>	<b>UL2464 black main wire 16AWG*2C wire, Or UL2468 16AWG*2P branch wire Or UL1015 red &amp; black wire 14AWG (Various specifications and colors can be customized according to customer requirements)</b>
<b>Input interface:</b>	<b>MC4 male and female</b>
<b>Output interface:</b>	<b>Tx60/TX90 Connector</b>
<b>Supporting materials:</b>	<b>Heat shrinkable tube&amp; PVC Compound</b>
<b>Length:</b>	<b>0.60M (length can be customized)</b>



## Photovoltaic Systems Wires Assembly



<b>Product name:</b>	<b>MC4 PV connector to Anderson bipolar connector 50A</b>
<b>Purpose:</b>	<b>Used in the solar charging package, single crystal dual crystal solar panel power cord, solar controller DC power conversion power supply connection, motorcycle and motorcycle charging.</b>
<b>Cables Specifications:</b>	<b>2.5mm<sup>2</sup>/4mm<sup>2</sup>/6mm<sup>2</sup> (AWG14/AWG12/AWG10) (Various specifications can be customized according to customer requirements)</b>
<b>Input interface:</b>	<b>Anderson bipolar connector 50A</b>
<b>Output interface:</b>	<b>MC4 male and female</b>
<b>Supporting materials:</b>	<b>Threaded Tube &amp; threaded tube fittings</b>
<b>Length:</b>	<b>0.60M (length can be customized)</b>



## Photovoltaic Systems Wires Assembly



<b>Product name:</b>	<b>MC4 PV connector to Anderson bipolar connector 50A</b>
<b>Purpose:</b>	<b>Used in the solar charging package, single crystal dual crystal solar panel power cord, solar controller DC power conversion power supply connection, motorcycle and motorcycle charging.</b>
<b>Cables Specifications:</b>	<b>2.5mm<sup>2</sup>/4mm<sup>2</sup>/6mm<sup>2</sup> (AWG14/AWG12/AWG10) (Various specifications can be customized according to customer requirements)</b>
<b>Input interface:</b>	<b>Anderson bipolar connector 50A</b>
<b>Output interface:</b>	<b>MC4 male and female</b>
<b>Length:</b>	<b>0.60M (length can be customized)</b>





## Photovoltaic Systems Wires Assembly



<b>Product name:</b>	<b>MC4 With PV Cable Connectors Assy</b>
<b>Purpose:</b>	<b>1 Pair MC4 With PV Cable Connectors [length can be customized]</b>
<b>Cables Specifications:</b>	<b>2.5mm<sup>2</sup>/4mm<sup>2</sup>/6mm<sup>2</sup> (AWG14/AWG12/AWG10) (Various specifications can be customized according to customer requirements)</b>
<b>Input interface:</b>	<b>MC4 male and female</b>
<b>Rate voltage:</b>	<b>1000V/1500V</b>
<b>Operating temperature :</b>	<b>-40°C~ +85°C</b>
<b>Length:</b>	<b>1.0M (length can be customized)</b>



## Photovoltaic Systems Wires Assembly



<b>Product name:</b>	<b>PV Y-Bus combined harness</b>
<b>Description:</b>	<b>2-1 &amp; 3-1 &amp; 4-1 &amp; 5-1 &amp; 6-1 &amp; 7-1 Confluence into a group</b>
<b>Cables Specifications:</b>	<b>2.5mm<sup>2</sup>/4mm<sup>2</sup>/6mm<sup>2</sup> (AWG14/AWG12/AWG10) (Various specifications can be customized according to customer requirements)</b>
<b>Input interface:</b>	<b>MC4 male or MC4 female (Customized according to customer needs)</b>
<b>Output interface:</b>	<b>MC4 female or MC4 male (Customized according to customer needs)</b>
<b>Rate voltage:</b>	<b>1000V/1500V</b>
<b>Operating temperature :</b>	<b>-40°C~ +85°C</b>
<b>Supporting materials:</b>	<b>Heat shrinkable tube&amp; PVC Compound</b>
<b>Length:</b>	<b>0.8M (length can be customized)</b>